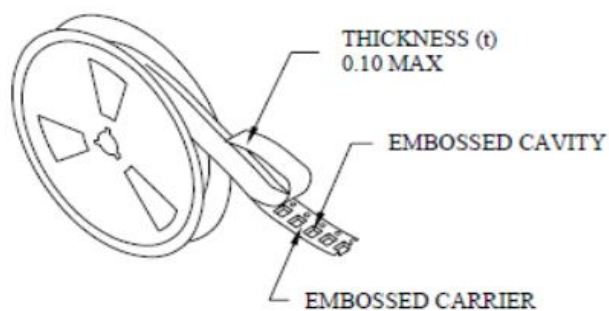
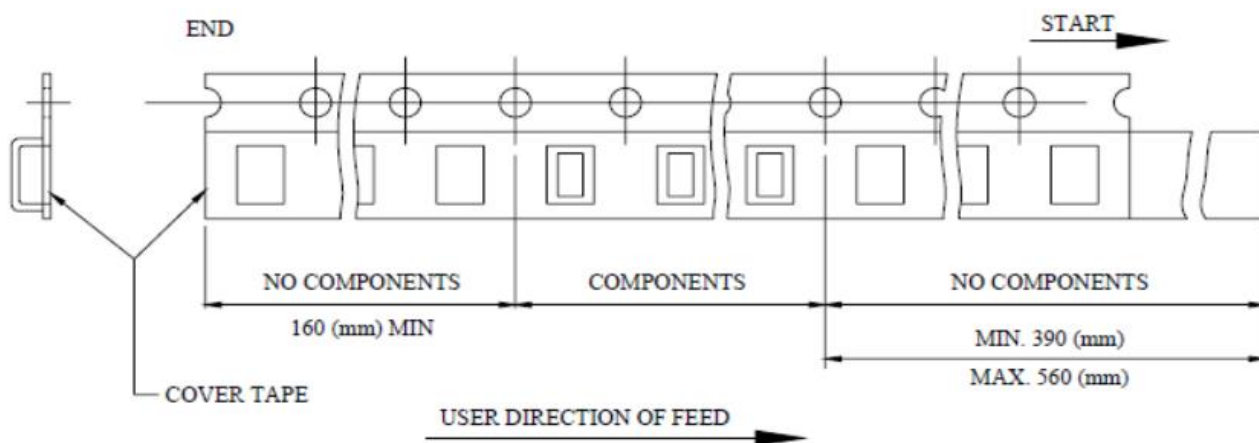
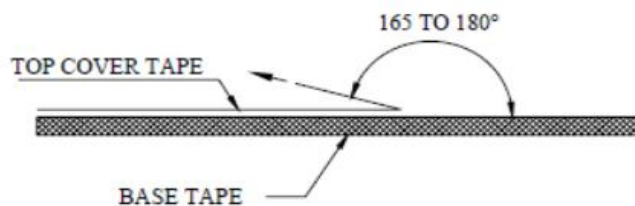


Packaging Information

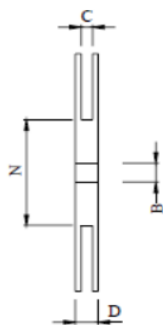
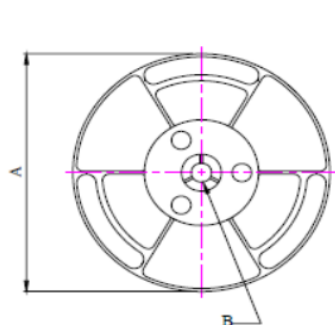


- THE FORCE FOR TEARING OFF COVER TAPE IS 10 TO 100 GRAMS IN THE ARROW DIRECTION.

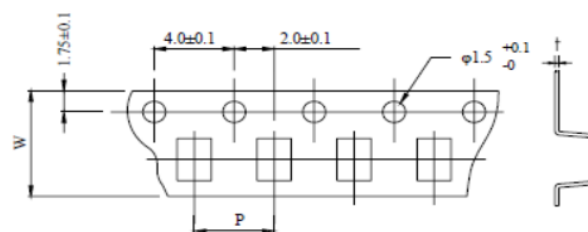


■ CARRIER TAPE REELS (mm)

MATERIAL: PLASTIC



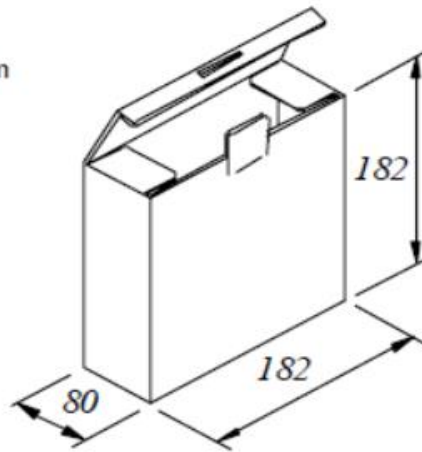
■ DIMENSIONS OF CARRIER TAPE (mm)



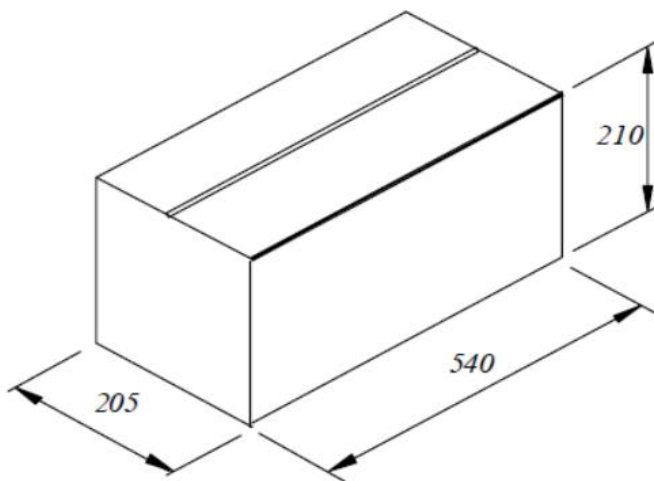
UNIT : mm

	A	B	C	D	N	P	W	t
DIM.	178	13.0	8.4	12.5	50	4.0	8.00	0.22
TOL.	±2.0	±0.8	+1.0-0	MAX	MIN	±0.10	±0.20	±0.05

UNIT : mm



- **CONSTRUCTION:**
THE CASE CONTAINS 5 REELS
Q'TY : 2,000 pcs / REEL
10,000 pcs/BOX



TOTAL Q'TY : 60,000PCS